

Inquiry/-Purchase order form for commercial vehicle

 Inquiry

 Purchase

We kindly ask you to fill in the data as complete as possible.
This will enable us to select carefully the required product
and to deliver at short notice.

Vehicle manufacturer: _____

Vehicle type: _____

Chassis number: _____

OE- part number (if available): _____

OE-part number (if available):

Explanation:

1 = motor / 2 = gearbox / 3 = transfer gearbox
4 = rear axle / 5 = 2nd rear axle
6 = front axle / 7 = 2nd front axle
DGW= Double cardan shaft

Stamp/Company:

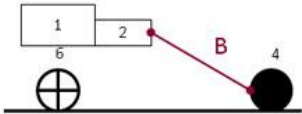
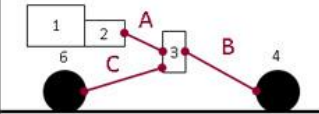
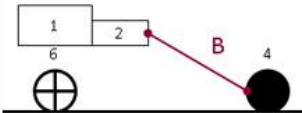
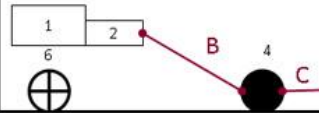
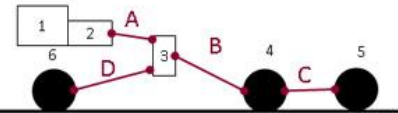
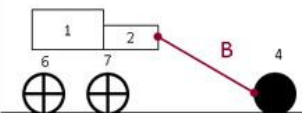
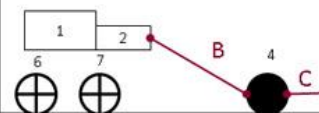
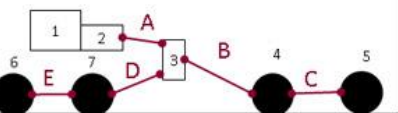
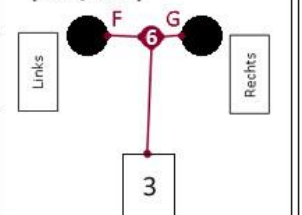
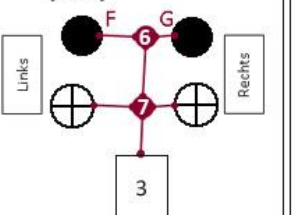
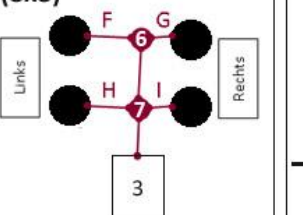
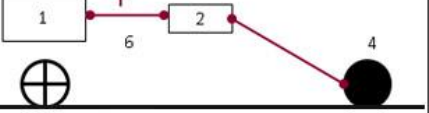
Name of purchaser:

Quantity: _____

Delivery date (arriving at customer):

Day

Time

| | | | |
|---|--|---|---|
| <p>4x2 <input type="checkbox"/> A <input type="checkbox"/> B</p>  | <p>4x4 <input type="checkbox"/> A <input type="checkbox"/> B <input type="checkbox"/> C</p>  | | |
| <p>6x2 <input type="checkbox"/> A <input type="checkbox"/> B</p>  | <p>6x4 <input type="checkbox"/> A <input type="checkbox"/> B <input type="checkbox"/> C</p>  | <p>6x6 <input type="checkbox"/> A <input type="checkbox"/> B <input type="checkbox"/> C <input type="checkbox"/> D</p>  | |
| <p>8x2 <input type="checkbox"/> A <input type="checkbox"/> B</p>  | <p>8x4 <input type="checkbox"/> A <input type="checkbox"/> B <input type="checkbox"/> C</p>  | <p>8x6/8x8 <input type="checkbox"/> A <input type="checkbox"/> B <input type="checkbox"/> C <input type="checkbox"/> D <input type="checkbox"/> E</p>  | |
| <p>DGW (4x4/6x6) <input type="checkbox"/> F <input type="checkbox"/> G</p>  | <p>DGW (8x6) <input type="checkbox"/> F <input type="checkbox"/> G</p>  | <p>DGW (8x8) <input type="checkbox"/> F <input type="checkbox"/> G <input type="checkbox"/> H <input type="checkbox"/> I</p>  | <p><input type="checkbox"/> F</p>  |

Leistung, die bewegt